

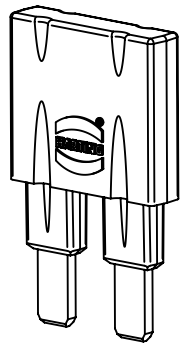
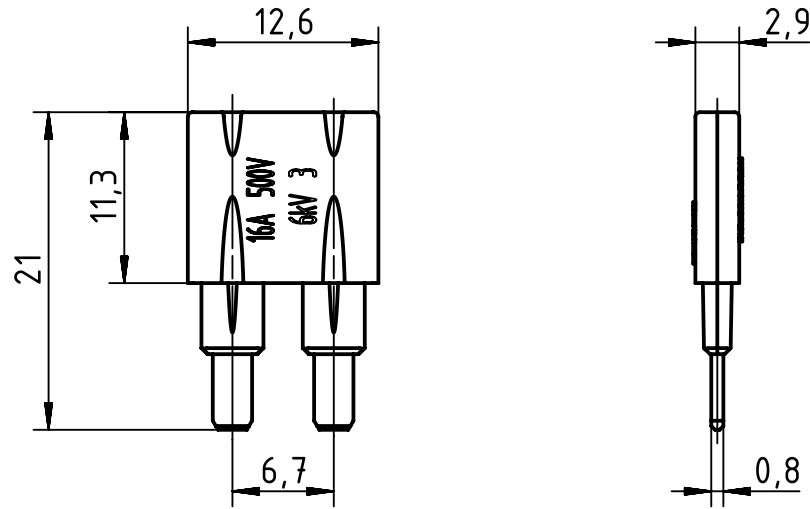
1 2 3 4 5 6

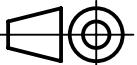

A

B

C

D



 All Dimensions in mm Original Size DIN A4	Scale	Free size tol.			Ref.
	2:1				Sub.
 All rights reserved Department EL PD - DE	Created by	Inspected by	Standardisation	Date	State
	STICKFORTH	LOETKEMANN	RUETERA	2017-02-14	Final Release
HARTING Electric GmbH & Co. KG D-32339 Espelkamp	Title				Doc-Key / ECM-Nr.
	Jumper Along 1x2 red 16A				100680252/UGD/001/B 500000115576
Type		Number		Rev.	Page
TB		09 33 000 9830		B	1/1